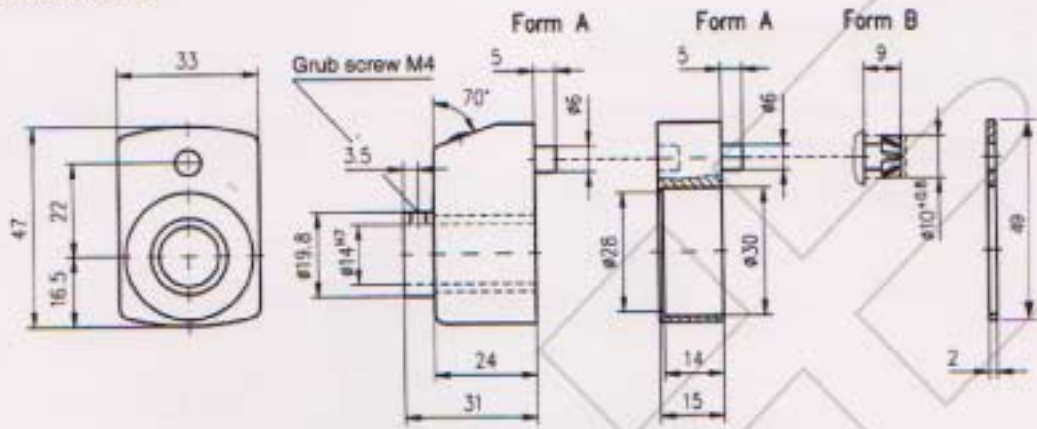
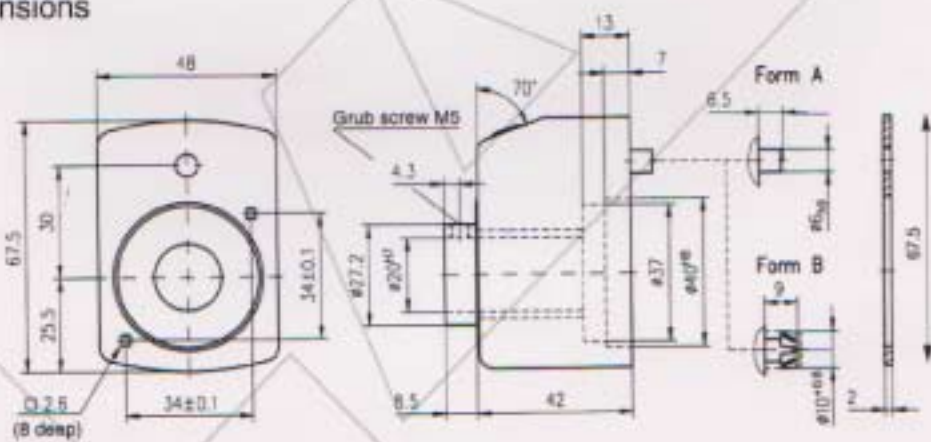


## PI-04 Dimensions



## PI-09 Dimensions



## ORDERING GUIDE:

**PI09 - 32 - 2.0 - R**

- ▶ PI 09 - ( Model No. )
- ▶ 32 - ( Reading Direction )
- ▶ 2.0 - ( Shaft Lead )
- ▶ R ( Counting Direction )

## SPECIFICATIONS:

PI04 0.05kg

PI09 0.1 kg

Weight : PI04 0.05kg

PI09 0.1 kg

Housing : Impact resistance Nylon & engineering plastic

Max.80°C

約6mm

Allowable Temperature : Max.80°C

Digit Height : 6mm (approx)