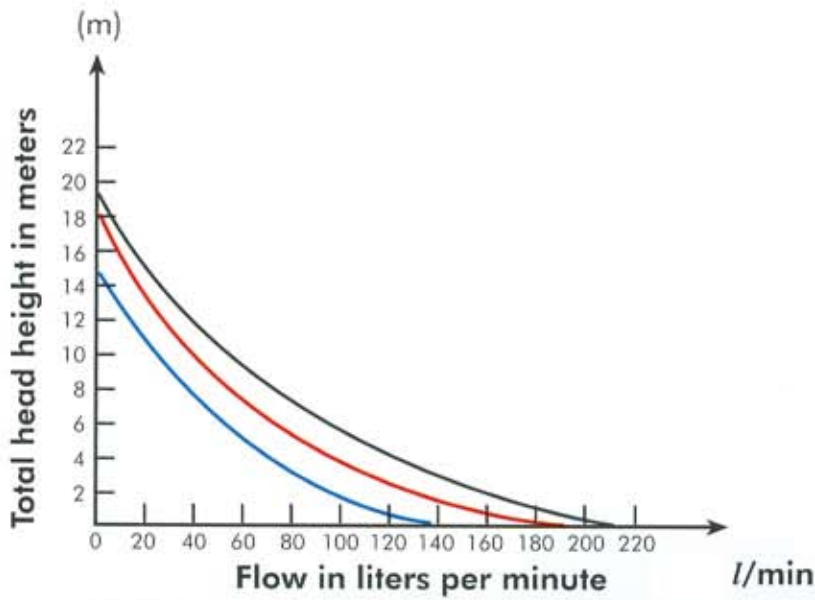


Tel: 508-987-0121

Fax: 508-987-1233

email: sales@flairamerica.net



1/2HP:

— 3 phase, 1" PT discharge bore, 27 mm

1 HP:

— 3 phase, 1" PT discharge bore, 27 mm

1 1/2HP:

— 3 phase, 1" PT discharge bore, 27 mm

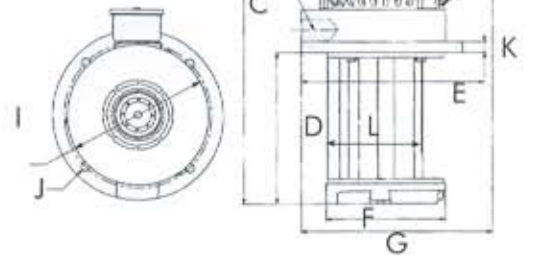
unit:mm

MODEL NO.	HP	A	B	C	D	E	F	G	H	I	J	K	L
MC-2150	1/2	162	94	388	150	196	138	222	1" PT	171	10	12	141
MC-2180	1/2	162	94	418	180	196	138	222	1" PT	171	10	12	141
MC-2240	1/2	162	94	478	240	196	138	222	1" PT	171	10	12	141
MC-2290	1/2	162	94	528	290	196	138	222	1" PT	171	10	12	141
MC-1250	1	178	94	520	250	212	152	225	1" PT	180	11	13	155
MC-1290	1	178	94	560	290	212	152	225	1" PT	180	11	13	155
MC-1380	1	178	94	650	380	212	152	225	1" PT	180	11	13	155
MC-Y250	1 1/2	178	94	520	250	212	152	225	1" PT	180	11	13	155
MC-Y290	1 1/2	178	94	560	290	212	152	225	1" PT	180	11	13	155
MC-Y380	1 1/2	178	94	650	380	212	152	225	1" PT	180	11	13	155

MC-2180

MC-2240

MC-2290

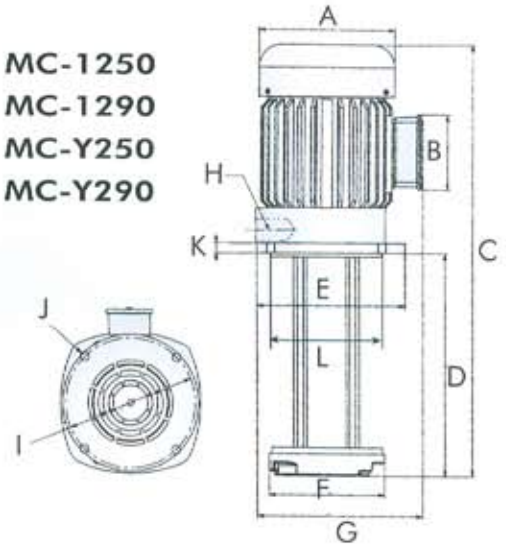


MC-1250

MC-1290

MC-Y250

MC-Y290



MODEL NO.	HP / KW	HEIGHT	L/min		DISCHARGE BORE	LIFT/METER		WEIGHT
			MAX. OUTPUT	(Three Ph.)		(Three Ph.)		
MC-2150	1/2 HP(0.37kw)	150 m/m		137	1" PT		14.8	18.5 Kg
MC-2180	1/2 HP(0.37kw)	180 m/m		137	1" PT		14.8	19 Kg
MC-2240	1/2 HP(0.37kw)	240 m/m		137	1" PT		14.8	19.5 Kg
MC-2290	1/2 HP(0.37kw)	290 m/m		137	1" PT		14.8	20 Kg
MC-1250	1 HP(0.75kw)	250 m/m		190	1" PT		18.1	22.5 Kg
MC-1290	1 HP(0.75kw)	290 m/m		190	1" PT		18.1	23 Kg
MC-1380	1 HP(0.75kw)	380 m/m		190	1" PT		18.1	24 Kg
MC-Y250	1.5 HP(1.12kw)	250 m/m		210	1" PT		19	23.5 Kg
MC-Y290	1.5 HP(1.12kw)	290 m/m		210	1" PT		19	24 Kg
MC-Y380	1.5 HP(1.12kw)	380 m/m		210	1" PT		19	25 Kg