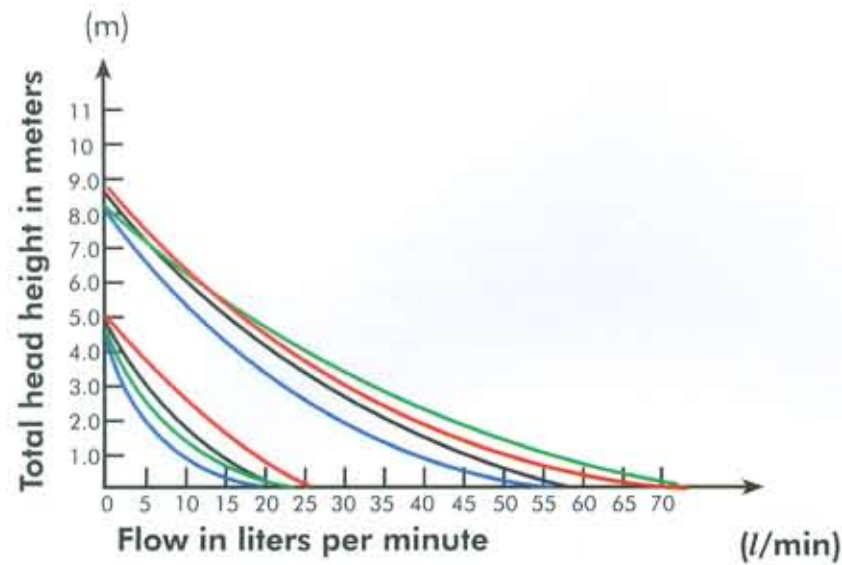


Suction Pump

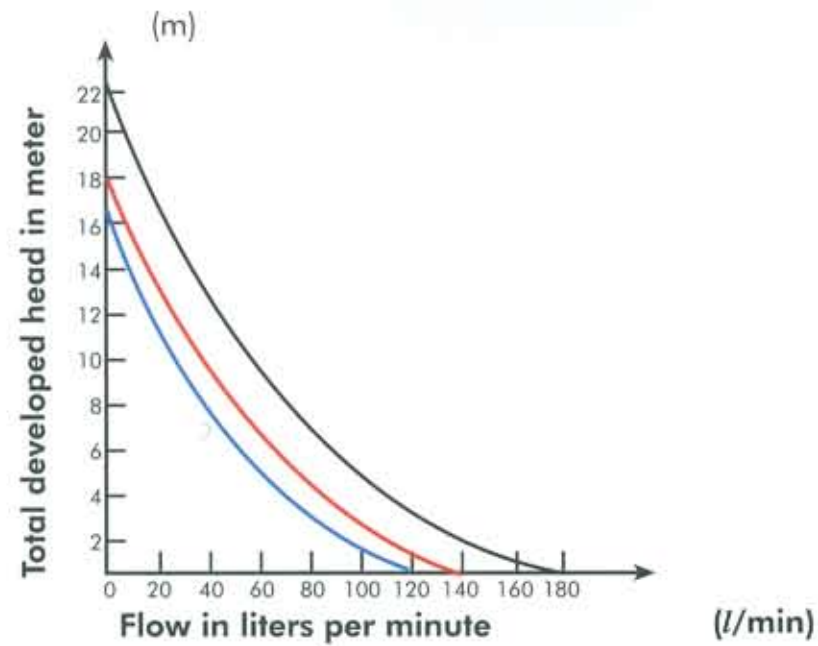


1/8HP:

- 3 phase, 3/8" PT discharge bore, 12 mm
- 1 phase, 3/8" PT discharge bore, 12 mm
- 3 phase, 1/2" PT discharge bore, 15 mm
- 1 phase, 1/2" PT discharge bore, 15 mm

1/4HP:

- 3 phase, 1/2" PT discharge bore, 15 mm
- 1 phase, 1/2" PT discharge bore, 15 mm
- 3 phase, 3/4" PT discharge bore, 20 mm
- 1 phase, 3/4" PT discharge bore, 20 mm



1/2HP:

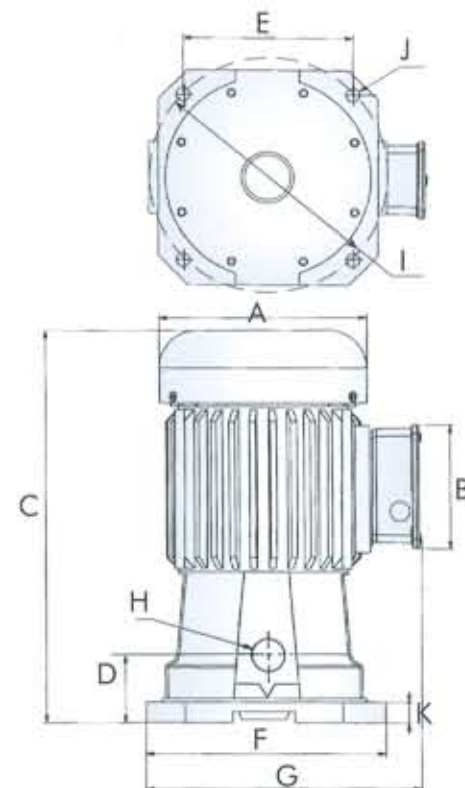
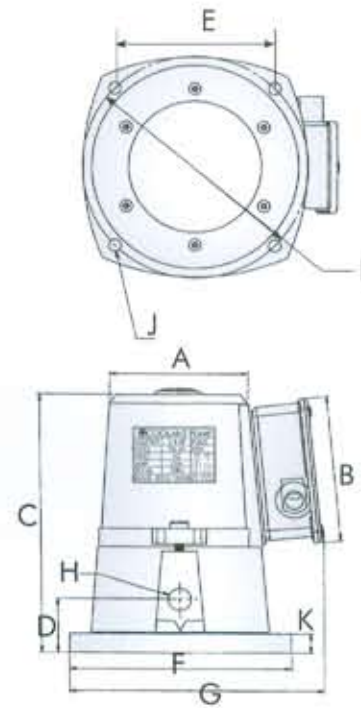
- 3 phase, 1" PT discharge bore, 27 mm

1 HP:

- 3 phase, 1" PT discharge bore, 27 mm

1.5 HP:

- 3 phase, 1" PT discharge bore, 27 mm



unit:mm

MODEL NO.	HP	A	B	C	D	E	F	G	H	I	J	K
MC-8000	1/8	94	94	173	35	105	147	187	3/8" PT 1/2" PT	140	8	13
MC-4000	1/4	130	94	233	55	131	178	215	1/2" PT 3/4" PT	185	10	18
MC-2000	1/2	162	94	310	72	151.5	170	216	3/4" PT	215	11	18
MC-1000	1	178	94	354	75	153.5	204	233	1" PT	219	11	20
MC-Y000	1.5	178	94	354	75	158.5	204	233	1" PT	219	11	20

MODEL NO.	HP / HP	HEIGHT	L/min MAX. OUTPUT		DISCHARGE BORE	LIFT/METER		WEIGHT
			(Single Ph.)	(Three Ph.)		(Single Ph.)	(Three Ph.)	
MC-8000	1/8 HP(0.09kw)	35 m/m	21 23	22 25	3/8" PT 1/2" PT	4.6 4.6	5 5	7 Kg
MC-4000	1/4 HP(0.18kw)	55 m/m	56 72	58 74	1/2" PT 3/4" PT	8.1 8.1	8.6 8.6	16 Kg
MC-2000	1/2 HP(0.37kw)	72 m/m	—	120	3/4" PT	—	16.3	21 Kg
MC-1000	1 HP(0.75kw)	75 m/m	—	145	1" PT	—	18	26 Kg
MC-Y000	1.5 HP(1.12kw)	75 m/m	—	170	1" PT	—	22.5	28 Kg

FEATURES AND CONSTRUCTION :

- All products are certified by **ISO 9001**.
- All products are certified by **CE**, from Germany SLG Association.
- All products are certified by Canadian **CSA** and American **US**.
- The entire unit is manufactured from high quality cast iron to ensure high stability, this eliminates problems with breakages over long periods of operations, which occurs on aluminium or plastic constructed models.
- Precision machine parts eliminate liquid damage to the pump interior. The machine also has a special anti-electrical shock feature, which is certificated by international **IP-54** dust- and water-free certification.
- Models that meet all international quality standards are available.

To ensure technological excellence, specifications are subject to change without prior notice.

FLAIR AMERICA

17 Town Forest Road
Oxford, MA 01540

Tel: 508-987-0121
Fax: 508-987-1233

www.flairamerica.net